

OPTICLUX 10-1 P TX

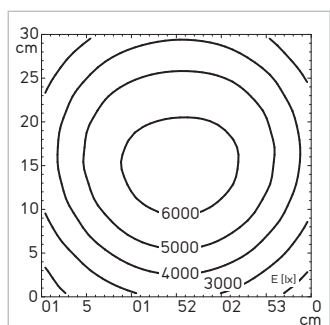
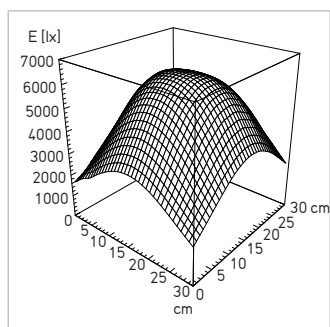
TECHNICAL DATA

| | |
|-----------------------|---|
| FITTED WITH | 1 x LED module |
| LUMINOUS POWER | 6000 lux / 0.15 m * |
| COLOR RENDERING INDEX | CRI > 95 |
| COLOR TEMPERATURE | 6500 K * |
| LENS DIMENSIONS | Ø 160 mm |
| MAGNIFICATION | 3,5 (approx. enlargement up to 1,9x) |
| LENS MATERIAL | PMMA (hardened) |
| OPERATION EQUIPMENT | Electronic transformer |
| VOLTAGE | 100-240 V; 50/60 Hz |
| CORD LENGTH | 1,8 m |
| LUMINAIRE BODY | Polyamid (PA) |
| WEIGHT (NET) | 2,0 kg |
| POWER CONSUMPTION | 12 W |
| USAGE | Touch panel on light head |
| CLASS OF PROTECTION | I |
| PROTECTION RATING | IP 20 |
| STANDARDS MET | EN 60601-1, EN 60601-2-41 |
| SPECIAL FEATURES | Scratch-resistant plastic lens, continuously dimmable, rotary joint (360° turnover axis) |
| MOUNTING | Mounting pin (Ø 16 mm) |
| ACCESSORIES | Rolling floor stand, rail mount with removal guard, table clamp with removal guard, universal mount with removal guard, wall mount with removal guard |
| ORDER NUMBER | D15.815.000-00752618 - pure white - Euro D15.850.000-00752642 - pure white - UK |

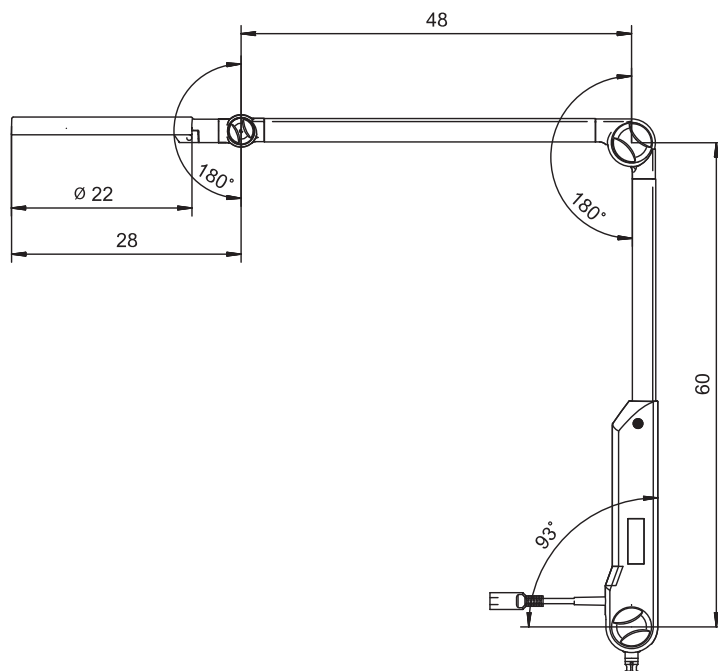
MAGNIFIER LUMINAIRE



LIGHT DISTRIBUTION



TECHNICAL DRAWING



measurements in centimeters

* -10% / +20% tolerance